

S15 SPRAY-PRO® PUSH SPRAYER ASSEMBLY and OPERATING INSTRUCTIONS

EarthWay®
SPRAY-PRO

STEP 1: With the S15 tank empty, turn the S15 forward on to the tank.

STEP 2: Cut Hose **D** (see page 2 exploded view) near the position as shown to the right.

STEP 3: Install clamp S25-19003 over the hose that is attached to the tank - do not tighten.

STEP 4: Install S25-19002 (Key #47 & #48) Tee into hose attached to the tank. Twist to position the Center so that it points parallel with the rear of the tank.

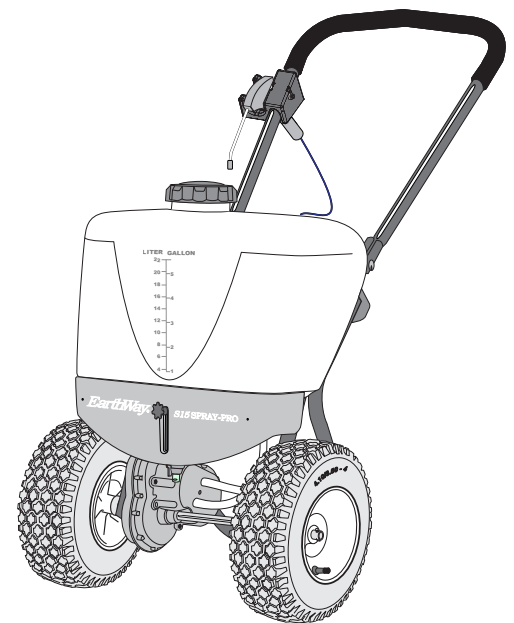
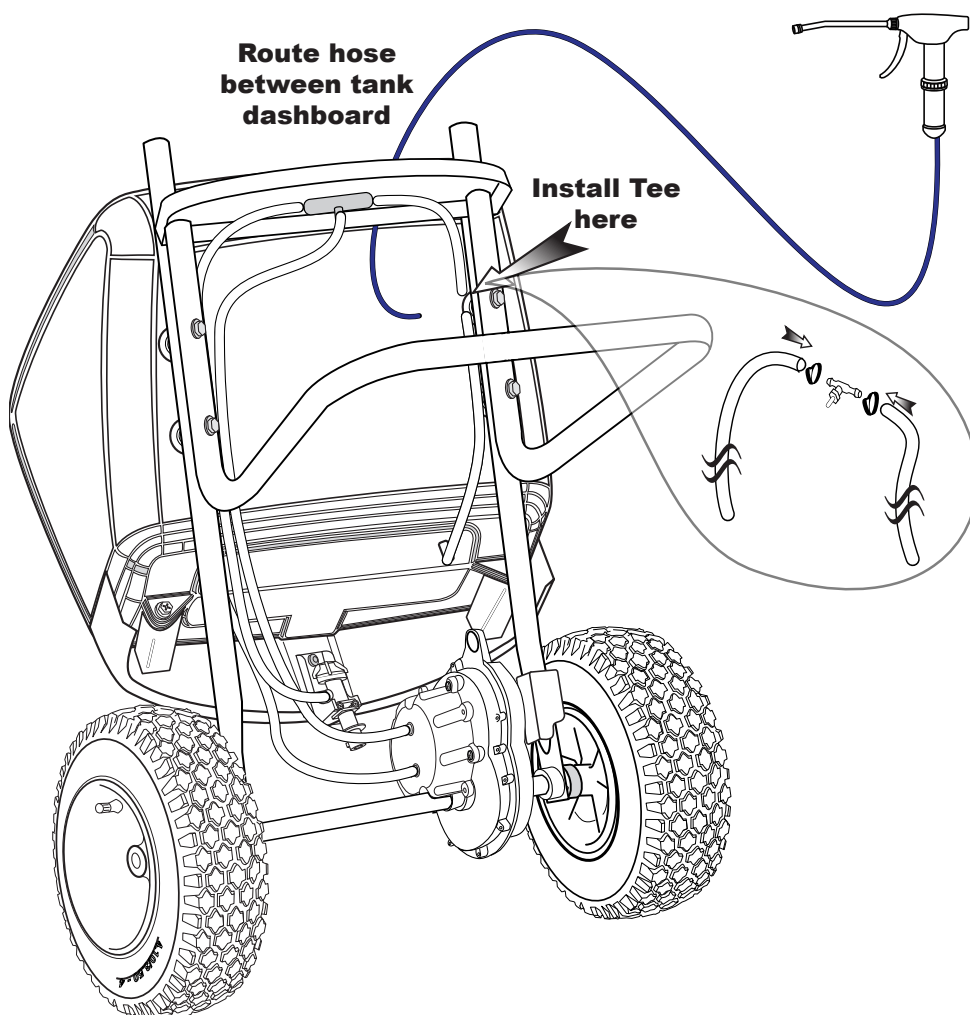
STEP 5: Now tighten clamp S25-19003 (Key #35) onto the hose at the Tee as show below.

STEP 6: Install clamp S25-19003 over the hose that is attached to the 3-way valve (Key #38)

STEP 7: Install hose onto S25-19002 (Key #47 & #48) Tee and tighten clamp S25-19003 (Key #35).

STEP 8: Connect the Spray Gun hose onto the S25-19000 1/4 NPT Female to 1/8" adapter.

Installation is complete.



To use the Spray Gun

1. Put the product to be used in the spray tank, following manufacturers instructions on use at all times.
2. Locate the sprayer in the area where use is to take place. When pushing the sprayer to the area the **SPRAY/TRANSPORT** lever must be in the **TRANSPORT** position to the right looking from behind the handlebars.
3. Remove the spray gun from its storage position on the handlebar and point it at the area to be sprayed.
4. The action of simply squeezing the trigger pulls the liquid from the spray tank down the tube to and out of the spray head of the gun.
5. Relocate the gun to its storage position on the handlebar and put the on/off lever back to the off position to the right side before moving or repositioning the sprayer.

After use

1. Empty any unused contents out of the spray tank. The S15 Spray-PRO tank has been designed to easily empty and clean. **Dispose of the tank contents and all washings in accordance with the manufacturer's disposal instructions on the product that has been used.**
2. Wash out the tank thoroughly using clean water and or a preparatory tank cleaner. Make sure that the nozzle and Spray Gun are thoroughly washed through as well. To wash through the pipe work to the spray nozzle, add an additional 1/2 gallon/2 liters of clean water to the tank and wash this through the nozzle by pushing the sprayer over a safe area for the purpose of disposal of washings. The spray gun will take 25-30 sprays to completely empty of the material used, then spray an additional 15 sprays of clean water to ensure it is clean.
3. Empty all water out of the sprayer making sure no water is left in the pump over winter.

Earthway Products, Inc.
P.O. Box 547
Bristol, IN 46507
Phone: 800-294-0671
www.earthway.com

S15 SPRAY-PRO® Liquid Sprayer ~ Parts List

